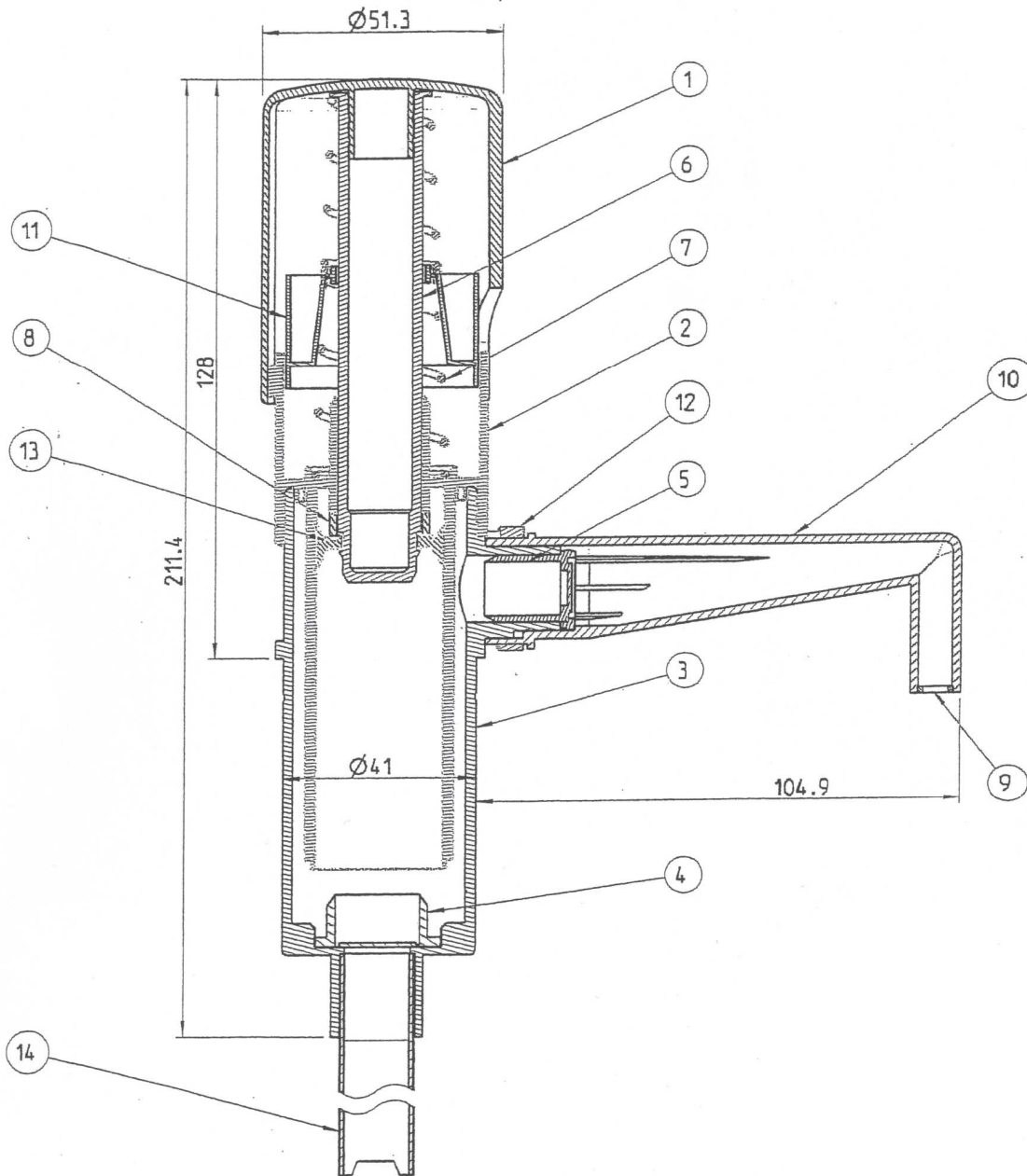


# CON-MAXI-W



## Material Specification

Item	Specification	Material
1.	Dispenser head	PP
2.	Cylinder	PE
3.	Housing	PP
4.	Flap valve large	PE
5.	Flap valve small	PE
6.	Piston	PP
7.	Spring	SS, MN 1.4310
9.	Non-drip ring	PP
10.	Outlet pipe	PP
12.	Dosage adjusting ring	PE
13.	Seal	PE
14.	Diptube	PE

## HOVICON INTERNATIONAL B.V.

P.O. Box 40 - 2140 AA Vijfhuizen - Holland

Tel. 0031-(0)23-5581988 - Fax 0031-(0)23-5583606

Fabrikant - Manufacturer - Fabricant - Hersteller - Fabricante - Fabricante